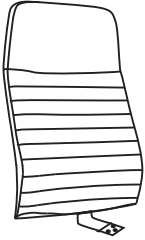

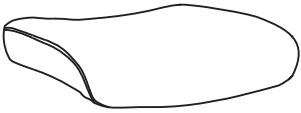

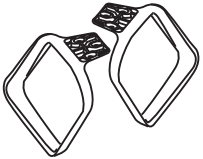

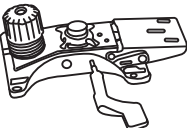




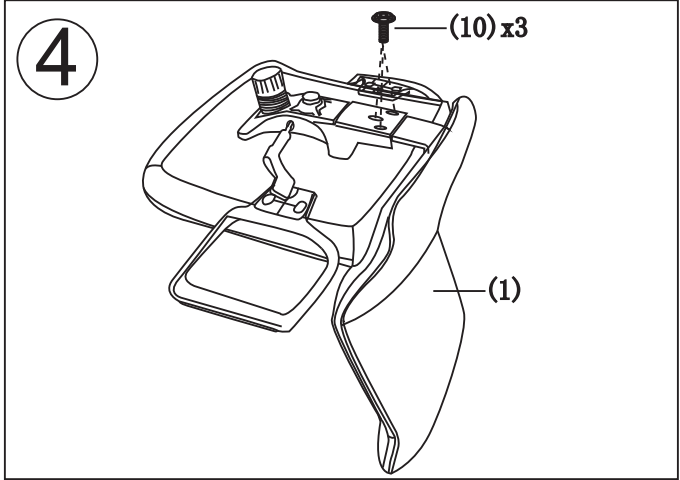
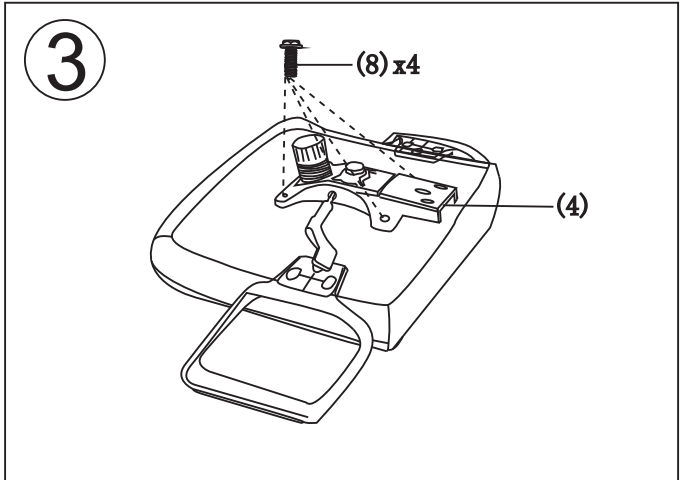
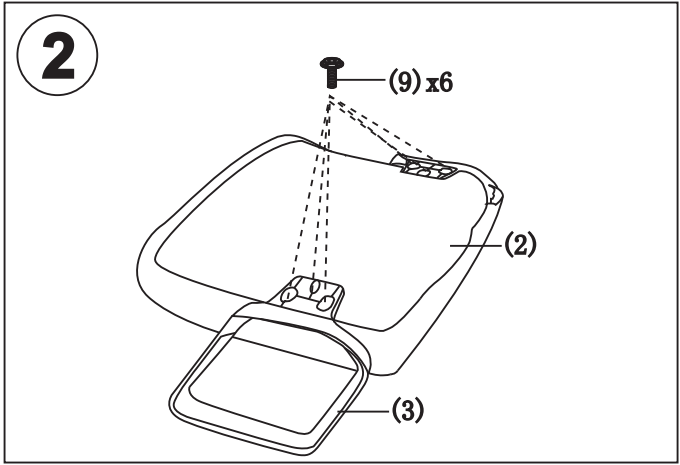
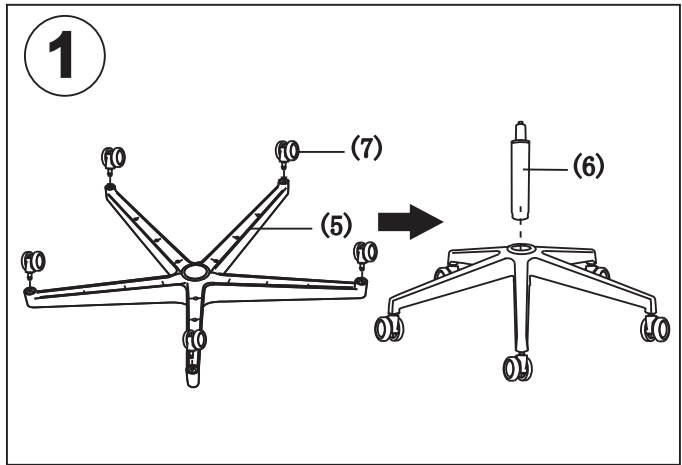
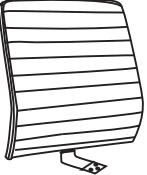



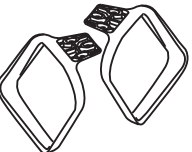







<p>(1) x1</p> 	<p>(7) x5</p> 
<p>(2) x1</p> 	<p>(8) x4</p> 
<p>(3) x1 (L) X®</p> 	<p>(9) x6</p> 
<p>(4) x1</p> 	<p>(10) x3</p> 
<p>(5) x1</p> 	<p>(11) x1</p> 
<p>(6) x1</p> 	



<p>(1)X1</p> 	<p>(7)X5</p> 
<p>(2)X1</p> 	<p>(8)X4</p> 
<p>(3)X1(L)X1(R)</p> 	<p>(9)X6</p> 
<p>(4)X1</p> 	<p>(10)X3</p> 
<p>(5)X1</p> 	<p>(11)X1</p> 
<p>(6)X1</p> 